

mode[®]

C320

The Mode C Series doesn't make noise;
it quietly makes a statement.



**Pre-book your
ride today!**

connect@modemobility.pk
+92 317 7702114



Chassis Colors

Citrus Yellow (Metallic)



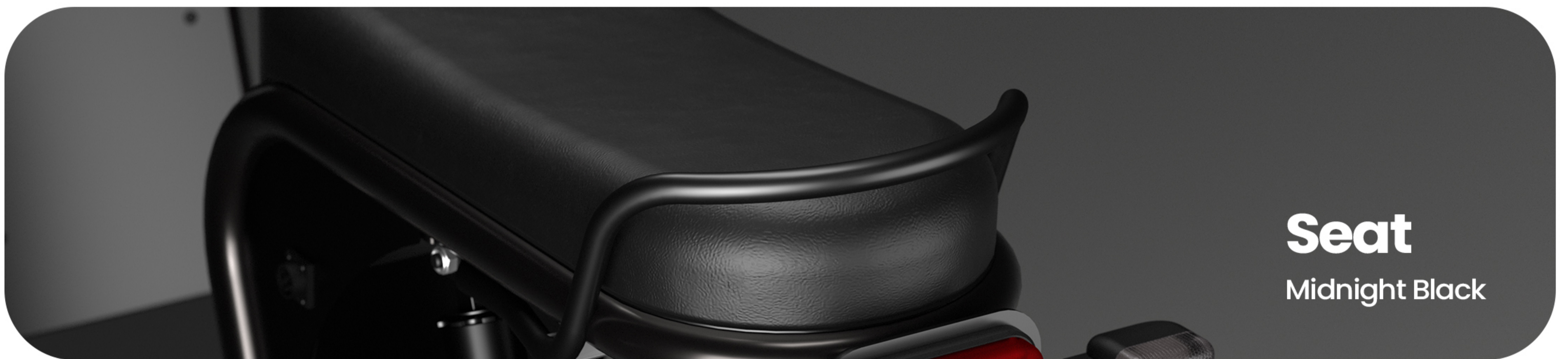
Bush Camo (Matte)



London Red (Gloss)



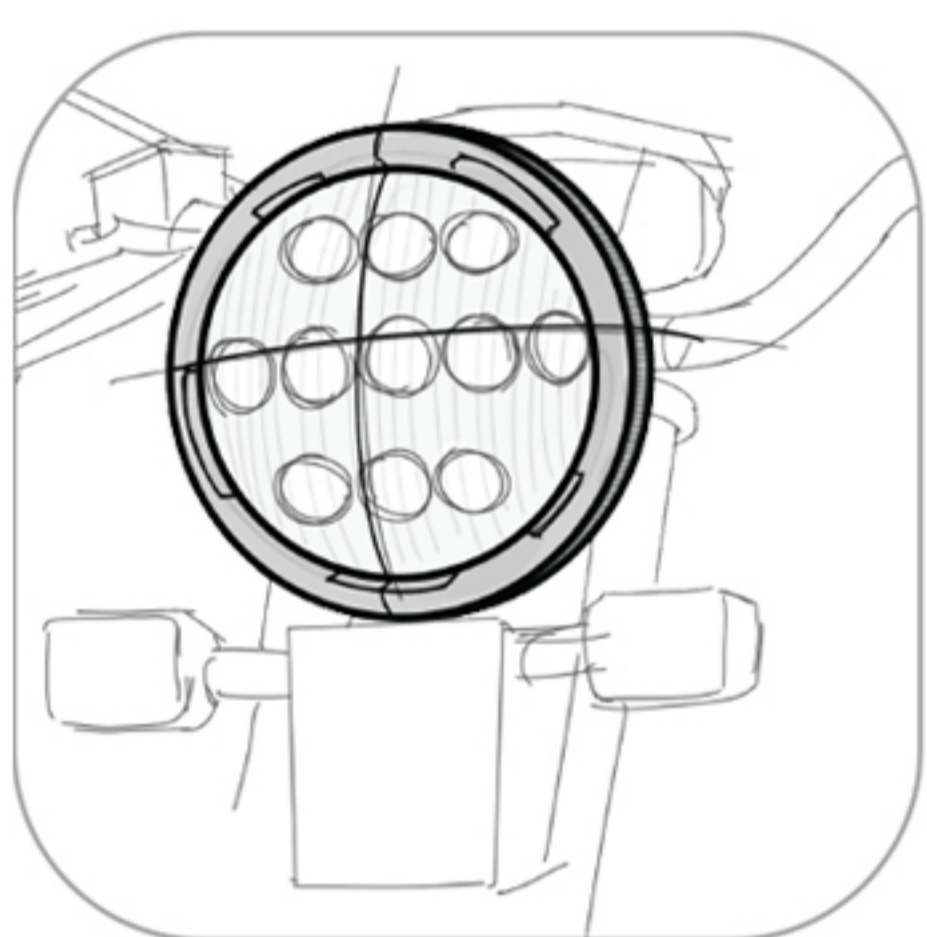
Desert Camo (Matte)



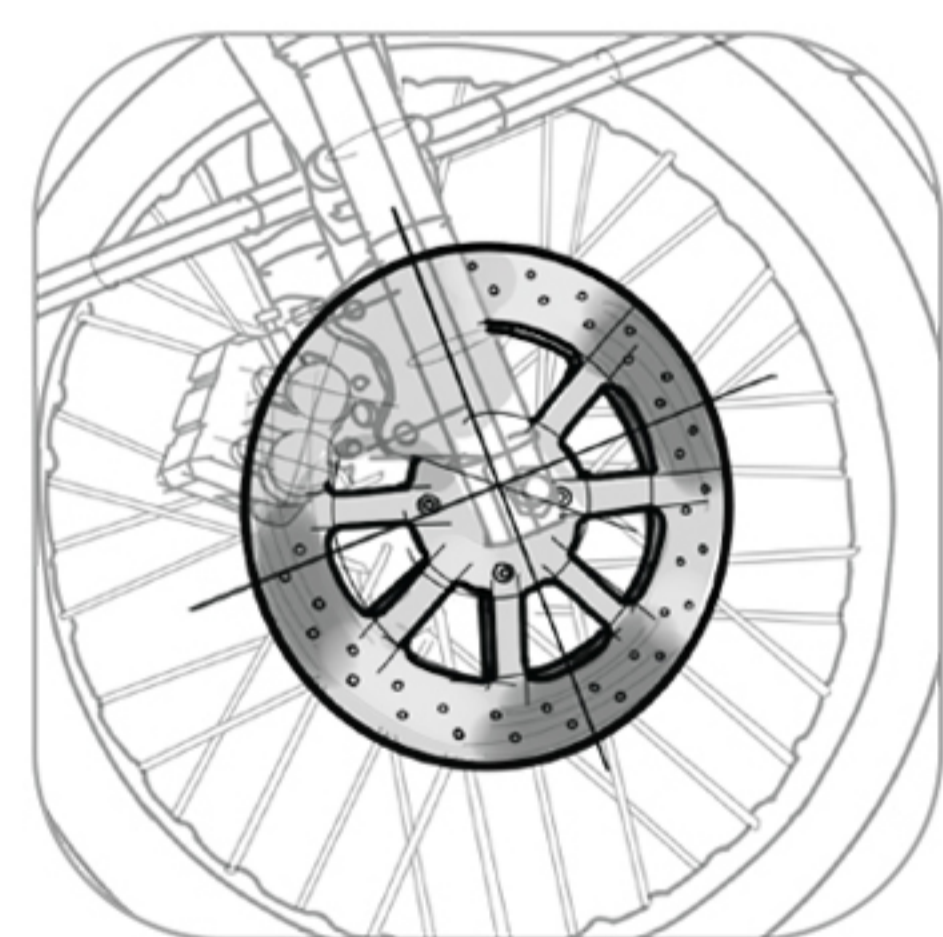
Seat

Midnight Black

Features



LED Headlight & Taillight



Front & Rear Disc Brakes



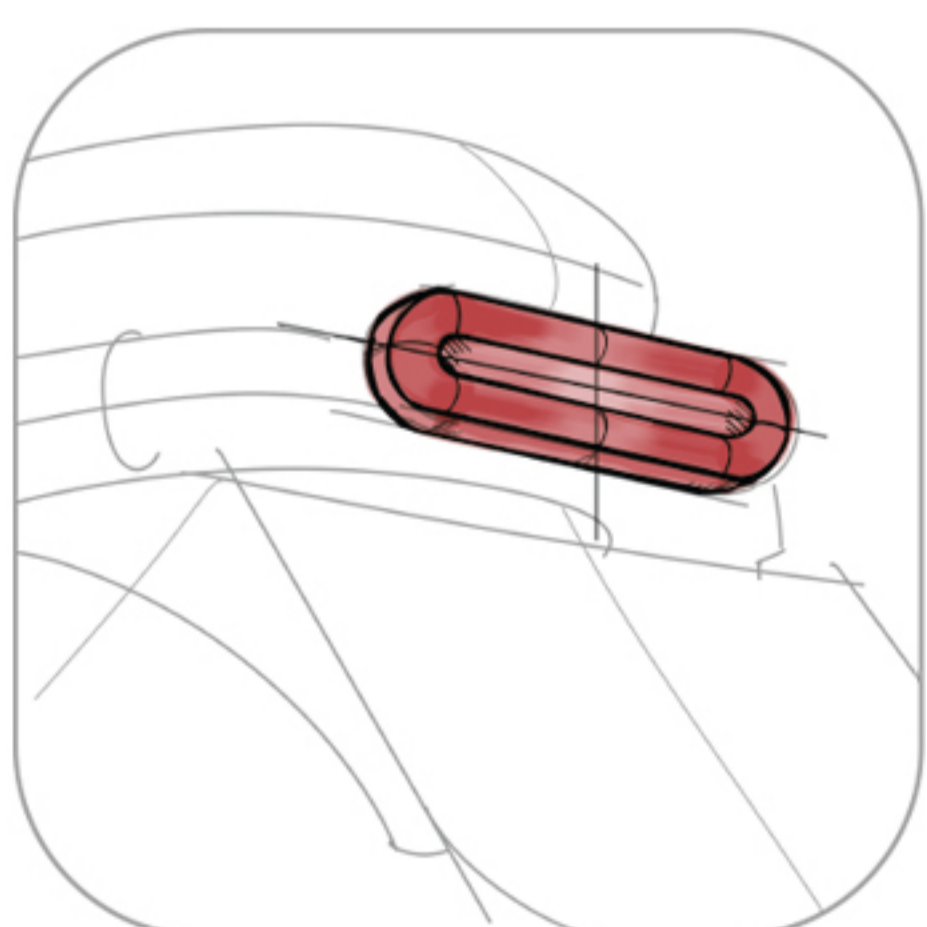
Extra-Long Seat



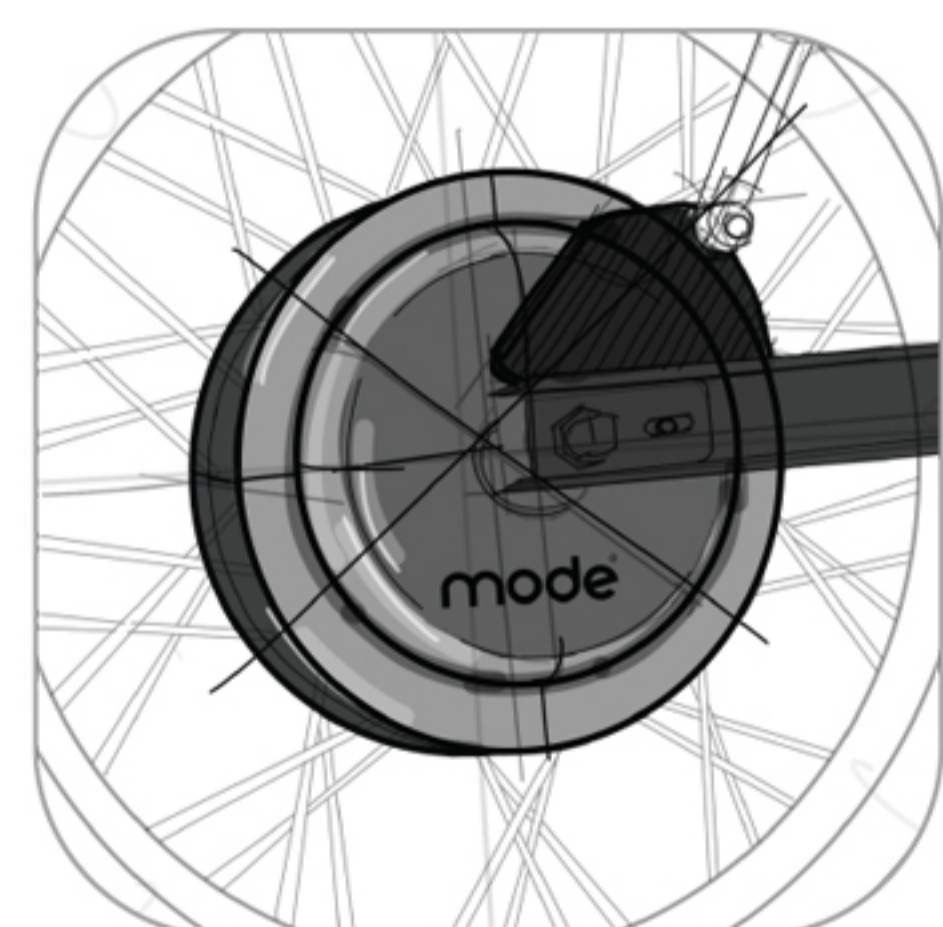
Portable Battery



Cruise Control



LED Taillight



Regenerative Braking



Kickstand Interlock



Step-thru Design



Digital Instrument Cluster

Charge. Ride. Repeat.

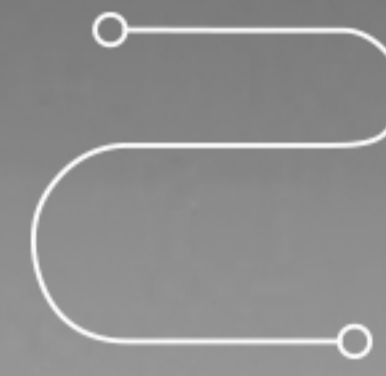
Performance Highlights



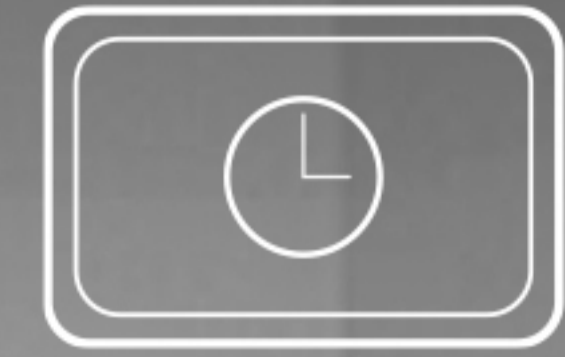
3kW
Hub Motor



2kWh
LFP Battery



80 km
real-world range



3hrs
charge time



85 km/h
Top Speed



Motor Specs

| Type | Peak Power | Rated Power |
|--|------------|--------------|
| PMSM (Permanent Magnet Synchronous Motor) | 4.5KW | 3 KW |
| Torque | Drive Type | Acceleration |
| 80 NM | Hub Drive | 5.6s |

Battery Specs

| Type | Capacity | Nominal Voltage | Max Charge Voltage |
|----------------------|-----------------------|-----------------|--------------------|
| LFP | 2 kWh | 76.8V | 87.6V |
| Max Charging Current | Max Discharge Current | | |
| 10A | 65A | | |

Ride and Control

Suspension

| Speed Modes | Function Modes | Front Suspension | Rear Suspension |
|-------------|-----------------------|------------------|----------------------|
| 3 | Park, Cruise, Reverse | Telescopic Forks | Twin Shock Absorbers |

Tire Size

Braking System

| Front Tire | Rear Tire | Front Brake | Rear Brake |
|------------|-----------|---------------------------------|---------------------------------|
| 2.50 - 18 | 8.00-17 | Hydraulic Disk (240mm Rotor) | Hydraulic Disk (220mm Rotor) |

Headlight

| Headlight | DRL |
|---------------------|-----------|
| LED (High/Low Beam) | Yes (15W) |